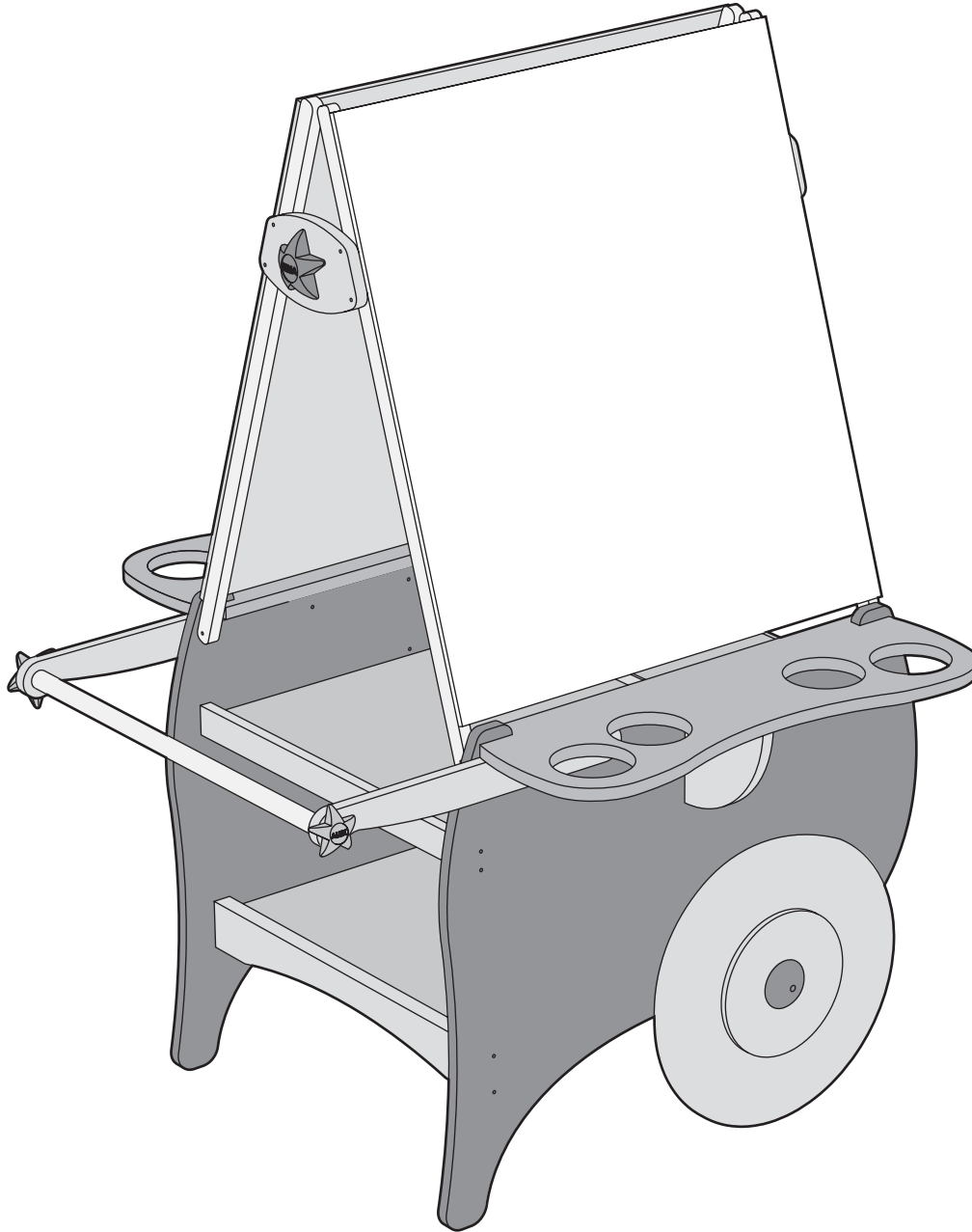


ALEX®

Super Rolling Art Center



 **WARNING: SMALL PARTS**
CHOKING HAZARD - Not for children under 3yrs.
Adult assembly required

Preparing the chalkboard surface:

You will need a piece of chalk and paper towel. First, holding the piece of chalk horizontally, rub the chalk over the entire chalkboard surface. Next, take the paper towel and, using a circular motion, rub the towel over the chalkboard surface. Finally, erase the chalk off the entire surface. You have just seasoned your chalkboard and it is ready for use.

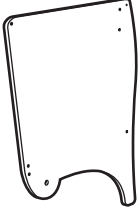

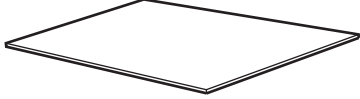

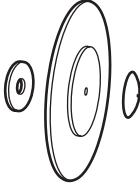



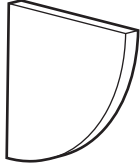

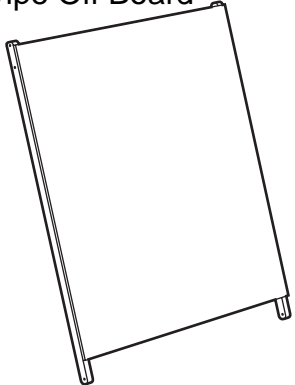

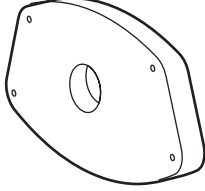

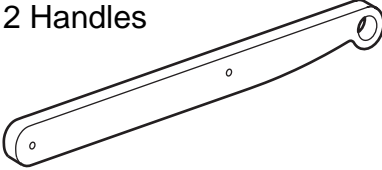
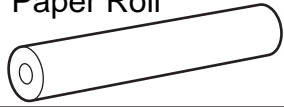

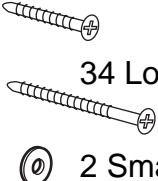
Caution: Keep screws, small parts and plastic bags out of children's reach during and after assembly

#721X

©2006 ALEX: Northvale, NJ 07647

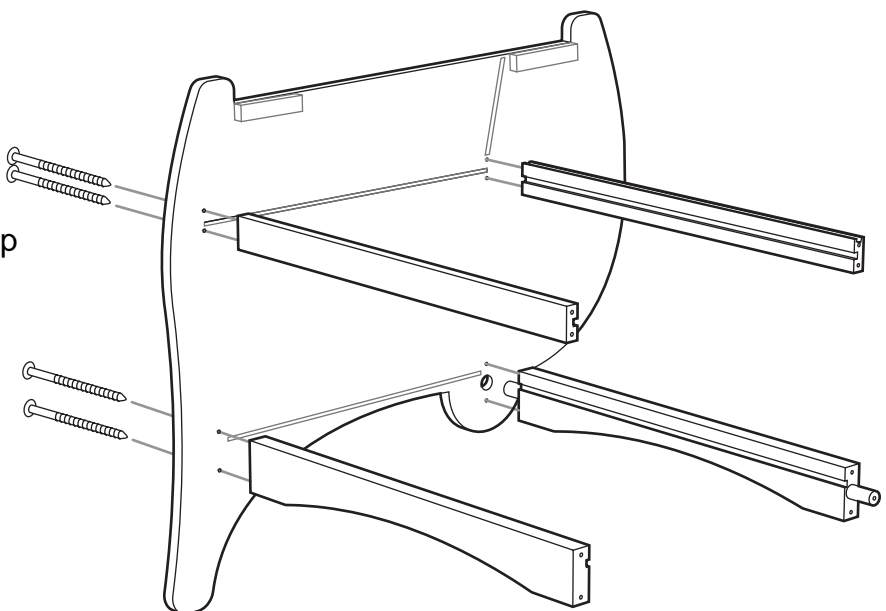
www.alextoys.com

TOOLS: Phillips head screwdriver Included.

<p>2 Side panels</p> 	<p>1 Front Top Shelf Bar</p> 	<p>1 Top and 1 Bottom Shelf</p> 	<p>1 Long Dowel</p> 
<p>2 Wheel Assemblies</p> 	<p>1 Back Top Shelf Bar</p> 	<p>1 Top Shelf Back</p> 	<p>1 Short Dowel</p> 
<p>2 Cup Holder Supports</p> 	<p>1 Bottom Shelf Bar</p> 	<p>1 Chalkboard 1 Wipe Off Board</p> 	<p>2 Cup Holders</p> 
<p>2 Paper Roll Supports</p> 	<p>1 Wheel Support</p> 	<p>2 Handles</p> 	<p>1 Paper Roll</p> 
			<p>4 Plastic Stars</p> 
			<p>Hardware</p> <ul style="list-style-type: none"> 12 Short Screws 34 Long Screws 2 Small Washers 

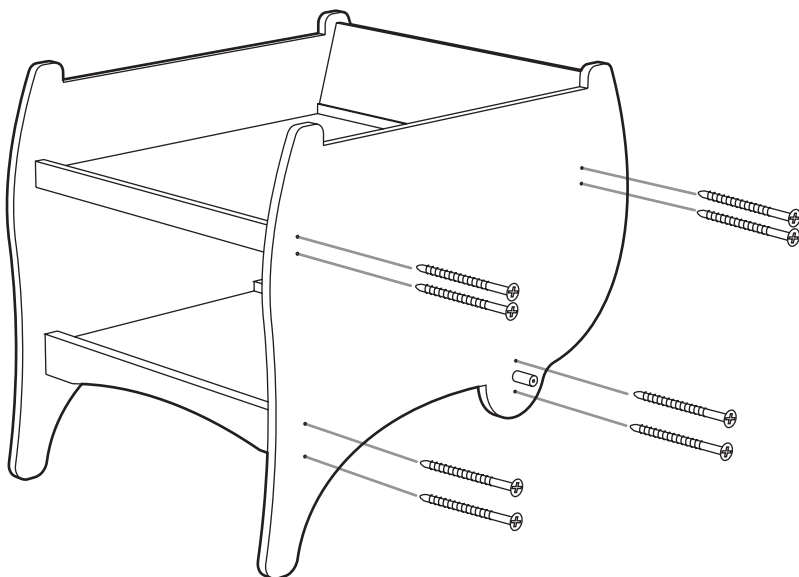
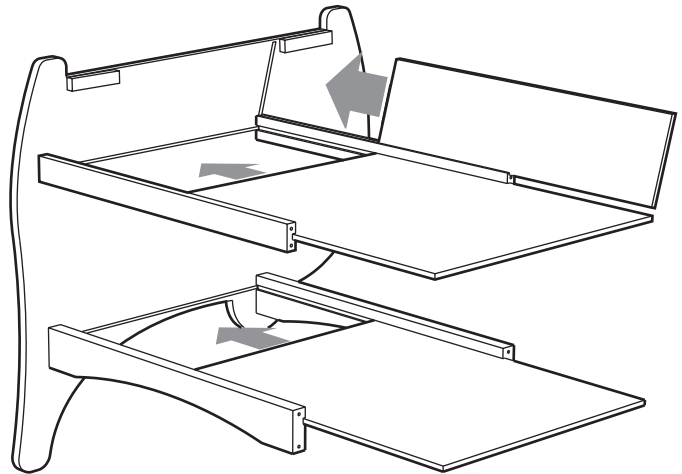
1

Attach the Front and Back Top Shelf Bars, the Bottom Shelf Bars, and Wheel Support to one of the Side Panels using eight Long Screws and the included screwdriver. Make sure that the grooves in the top shelf bars line up with the grooves in the side panel.



②

Slide the Top Shelf, Top Shelf Back, and Bottom Shelf into the grooves as shown.

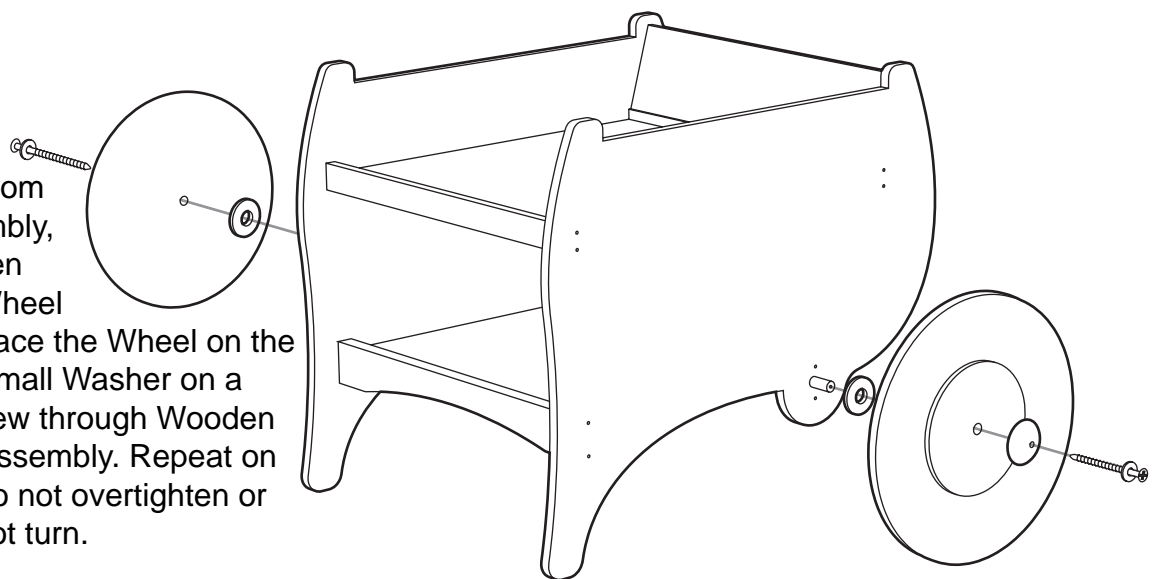


③

Using eight Long Screws and the screwdriver, screw the other Side Panel into place as shown. Make sure that the shelves line up with the grooves in the side panel.

④

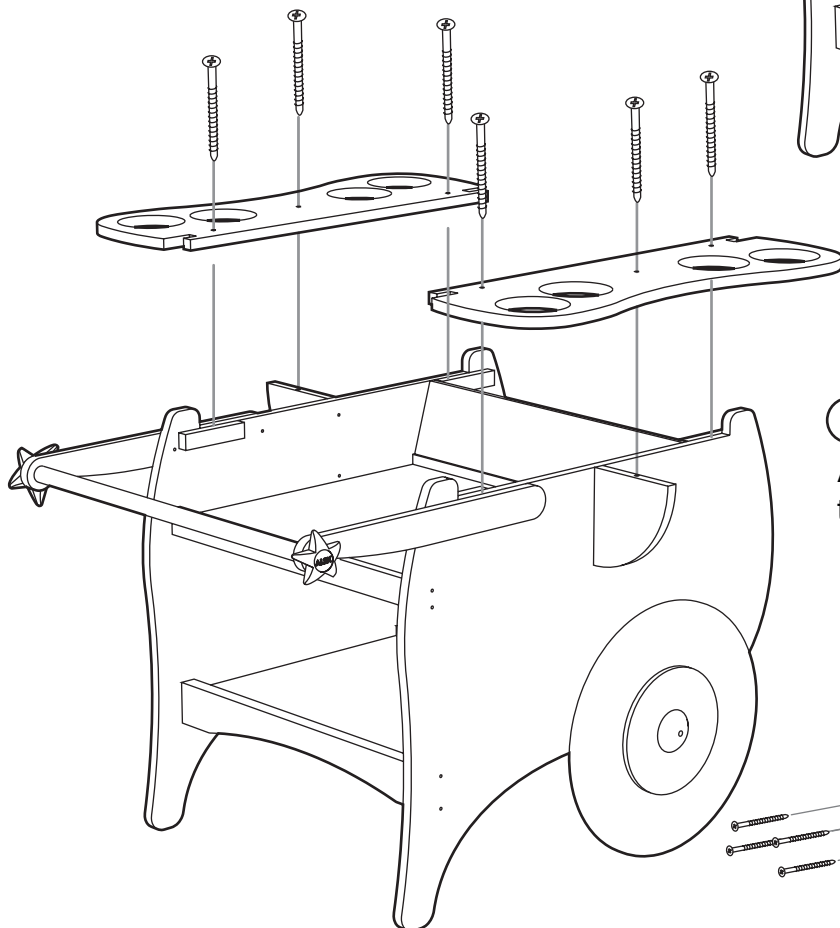
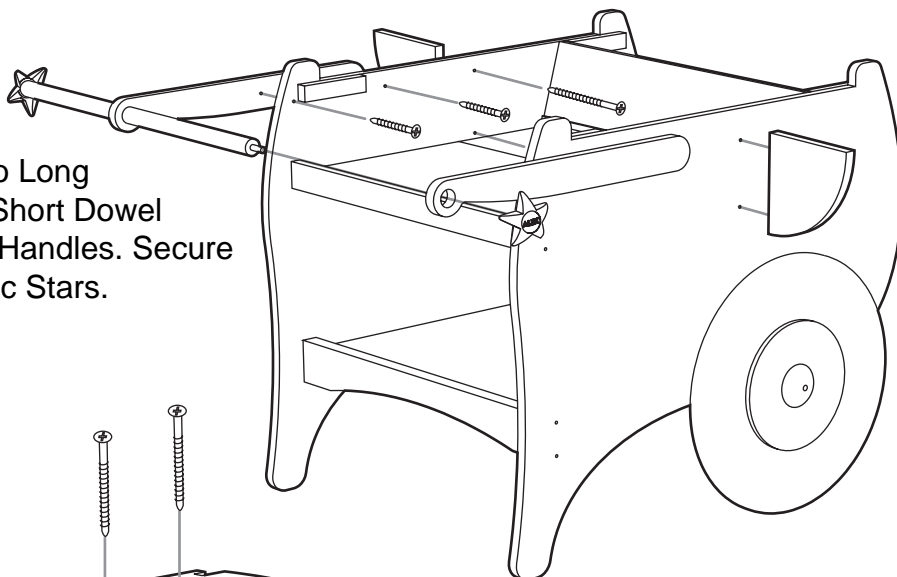
Using the parts from the Wheel Assembly, place one Wooden Washer on the Wheel Support. Then place the Wheel on the dowel. Place a Small Washer on a Long Screw. Screw through Wooden Cap and wheel assembly. Repeat on the other side. Do not overtighten or the wheels will not turn.



#721X

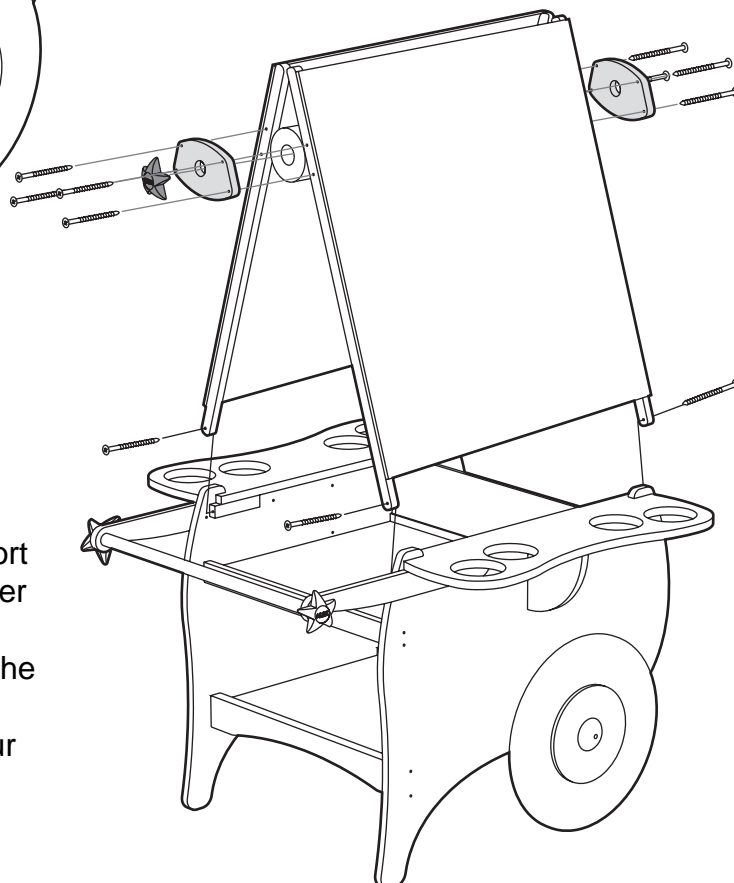
⑤

Attach the Handles with two Short Screws each. Attach the two Cup Holder Supports with two Long Screws each. Slide the Short Dowel through the holes in the Handles. Secure it in place with two Plastic Stars.



⑥

Attach the two Cup Holders with three Long Screws each.



⑦

Attach the two Paper Roll Supports to the Chalkboard and Wipe off board using eight Short Screws. Slide the Long Dowel through the Paper Roll and the holes on the Paper Roll Supports. Secure it in place with two Plastic Stars. Slide the finished Chalkboard assembly onto the bottom assembly as shown. Screw it in place using four Long Screws.

#721X