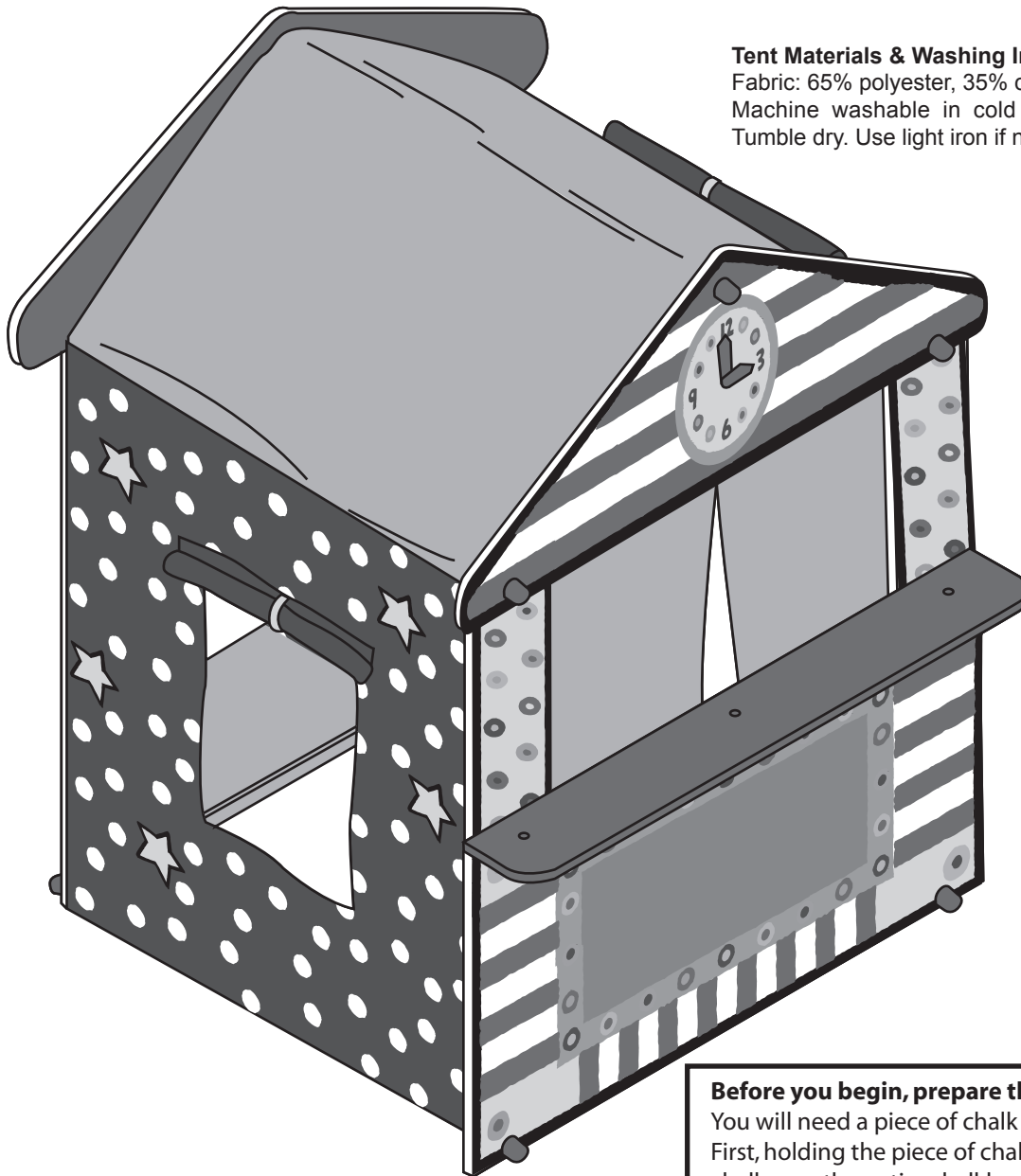


MY PLAYHOUSE



Tent Materials & Washing Instructions

Fabric: 65% polyester, 35% cotton
 Machine washable in cold water. No bleach.
 Tumble dry. Use light iron if necessary.

WARNING:
CHOKING HAZARD: Small Parts.
 Not for children under 3 yrs.

Before you begin, prepare the chalkboard surface:

You will need a piece of chalk and paper towel.
 First, holding the piece of chalk horizontally, rub the chalk over the entire chalkboard surface. Next, take the paper towel and, using a circular motion, rub the towel over the chalkboard surface. Finally, erase the chalk off the entire surface. You have just seasoned your chalkboard and it is ready for use.

Adult assembly required

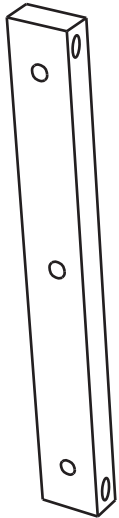
Caution: Keep screws, small parts and plastic bags out of children's reach during and after assembly

#20/02

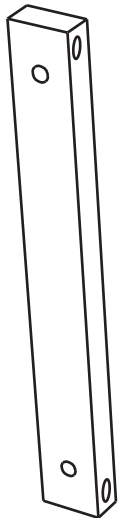
©2002 ALEX: Northvale, NJ 07647

Visit our website at www.alextoys.com

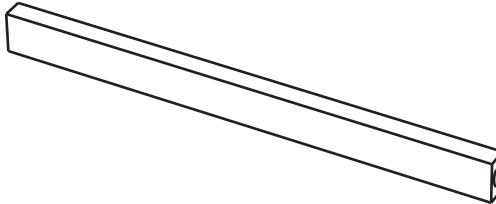
A 2 Front frame pieces



B 2 Back frame pieces



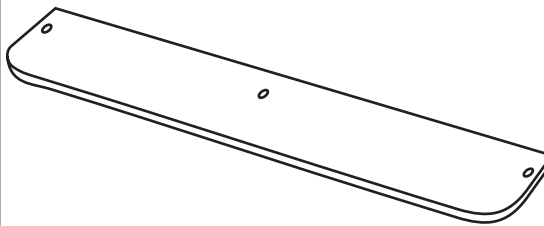
C 4 horizontal frame sides



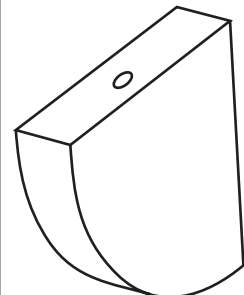
D 2 Front side panels



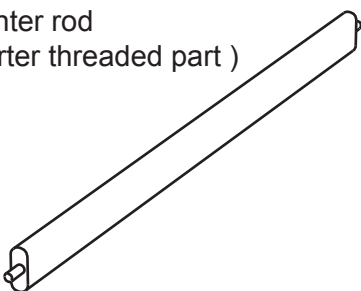
E 1 Shelf



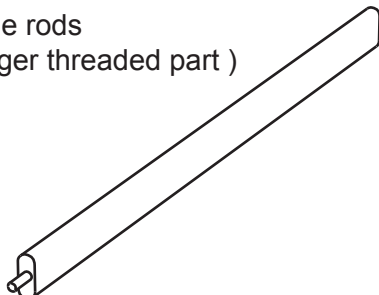
F 3 Shelf supports



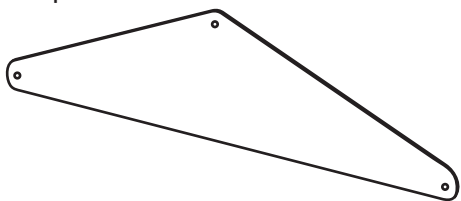
G 1 Center rod (shorter threaded part)



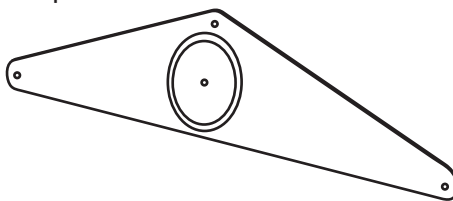
H 4 side rods (longer threaded part)



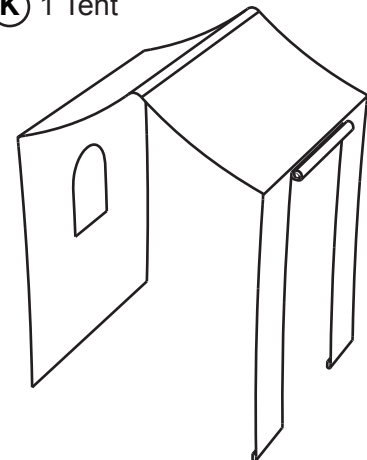
I 1 Back roof panel



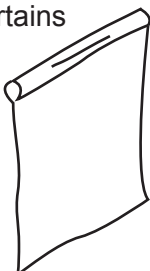
J 1 Front roof panel



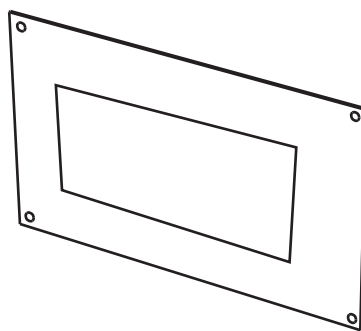
K 1 Tent



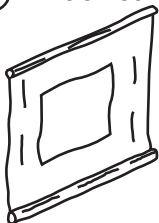
L 2 Front curtains



M 1 front panel



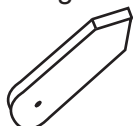
N 1 Back curtain



O 10 Wooden nuts



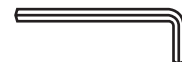
1 Big hand 1 Little hand 3 washers 1 phillips head screw

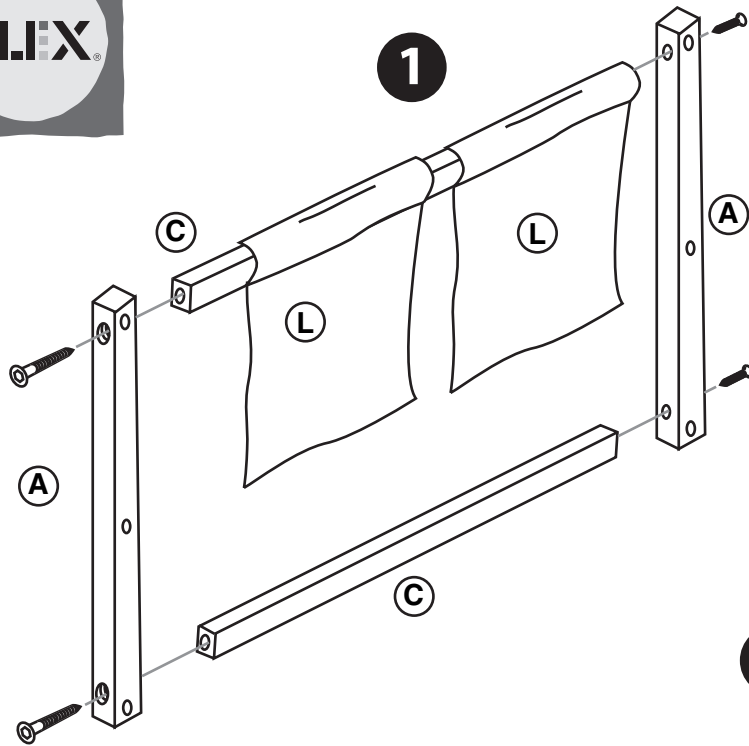


14 Allen screws



1 Allen wrench





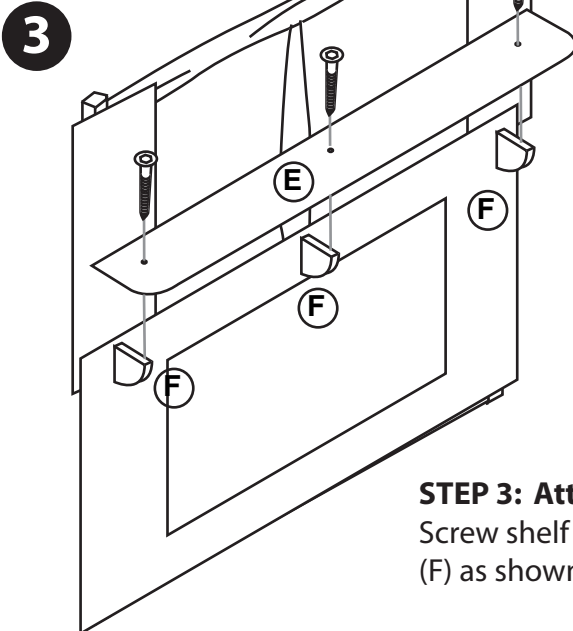
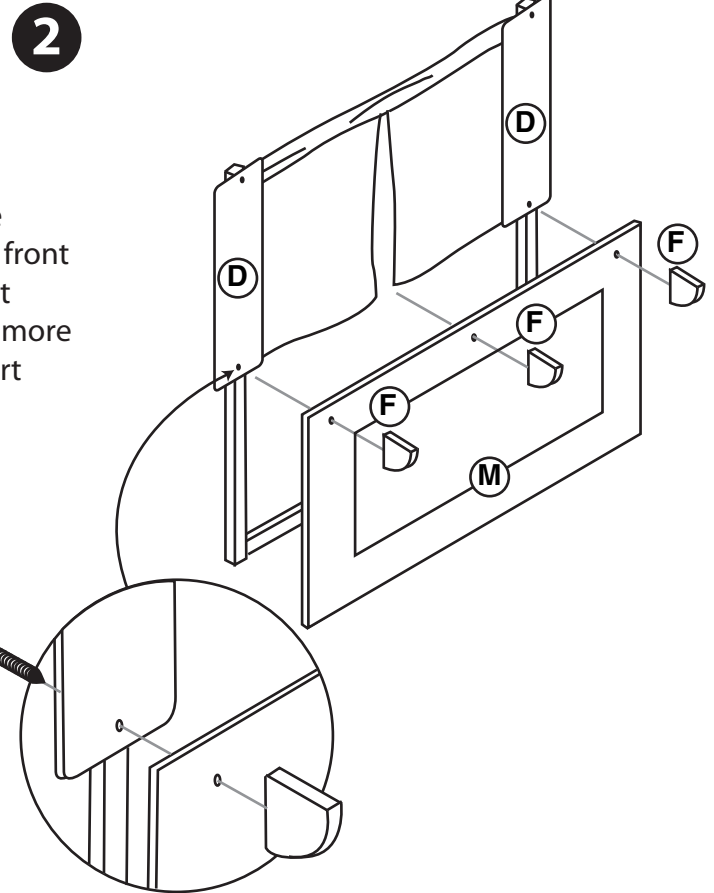
STEP 1: Assemble the front panel frame

Use Allen screws and the Allan wrench to attach 2 Horizontal frame sides (C) to the top and bottom on one front frame side (A) making sure that the top and bottom recessed holes are facing out. Thread the front curtains (L) on to the top of the frame and finish by attaching the final front frame side (A) into place, completing the square.

STEP 2: Attach the front panels

Using 2 Allen screws through the back of the assembly, attach side panels (D), chalkboard front panel (M) and 2 shelf supports (F) to the front panel frame from STEP 1, as shown. Use one more Allen screw to attach the middle shelf support (F).

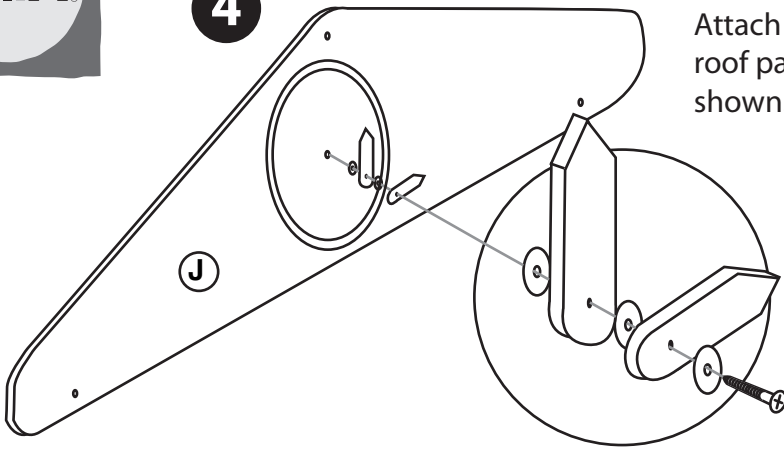
NOTE: make sure you have seasoned the chalkboard as instructed on page 1 before use.



STEP 3: Attach the front shelf

Screw shelf (E) to the tops of the 3 shelf supports (F) as shown.

4

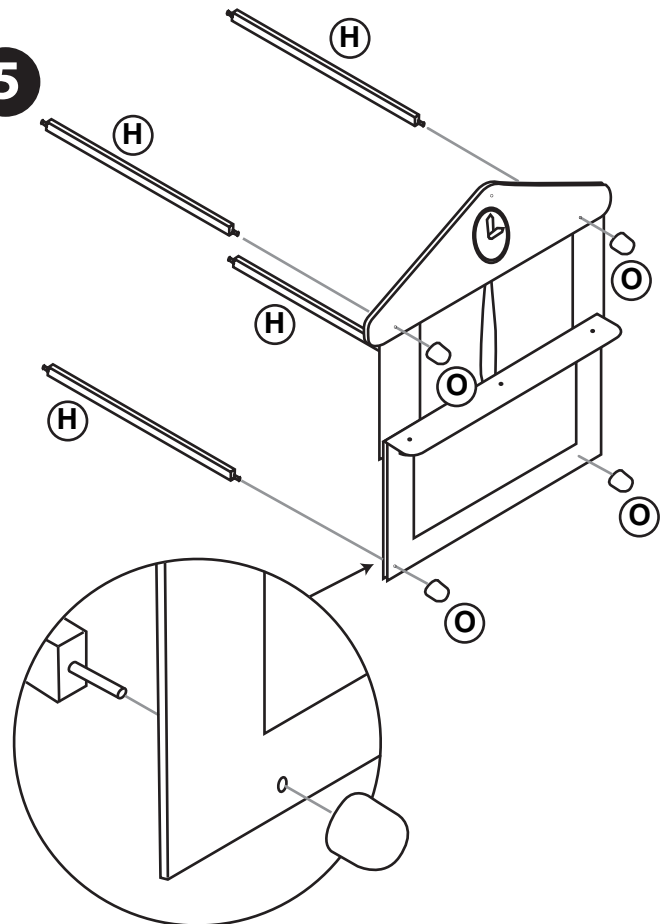
**STEP 4: Assemble the clock**

Attach the clock pieces in place on the front roof panel (J) using a Phillips head screw as shown.

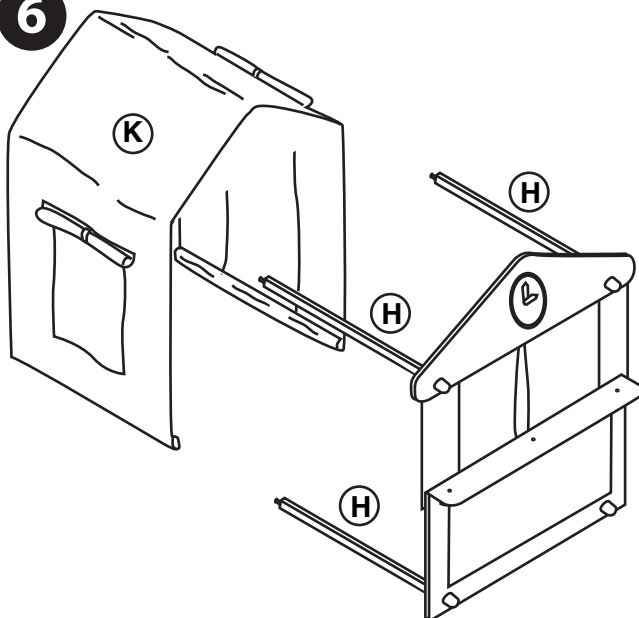
STEP 5: Attach the side rods to the front panel assembly

Thread 2 side rods (H) through the holes in the bottom corners of the assembled front panel (from back to front). Secure with 2 wooden nuts (O). Then, line up the 2 holes on the bottom of the front roof panel (J) with the holes on the top of the assembled front panel. Thread the 2 remaining side rods (H) through these holes (from back to front) and secure with 2 more wooden nuts (O).

5



6

**STEP 6: Attach the tent**

Slide the tent (K) on to the 4 side rods (H). The channels in bottom of the tent slide on to the 2 bottom side rods to hold it in place.

